

PRODUCT INFO SHEET

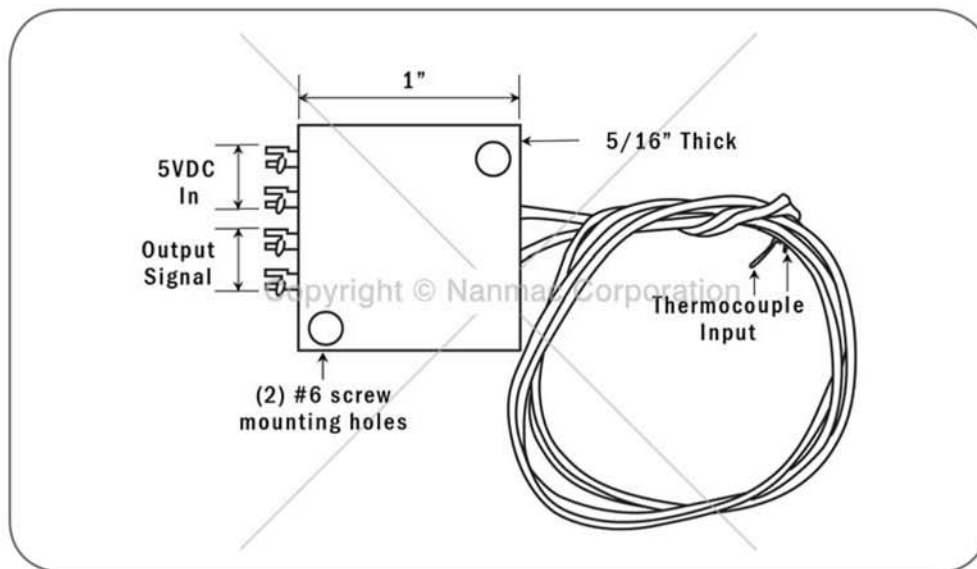
Nanmac Corporation

Quality • Performance • Solutions

Thermocouple Reference Junction F11 Series

This miniature full bridge (MF) compensator provides stable and accurate secondary thermocouple junctions. This module eliminates the need for ice bath or electromechanical devices by simulating the desired secondary reference point temperature (0 degrees Celsius is standard). This unit is externally energized by a 5.0 VDC. Other voltages upon request; power supply is not included.

They have a low impedance reference source. Compatible with computer and process controllers. All incorporating the characteristics of high accuracy, small size, low power, instant operation, and rugged construction. This compensator is available with soldered terminals for power and output signal and leads for thermocouple input with 2 mounting holes.



Ordering Information	
Part No.	Type
F11-7	J
F11-8	K
F11-9	T
F11-10	R
F11-11	S
F11-12	E
F11-13	G
F11-14	C
F11-15	D
F11-16	B

Specifications	
Accuracy	0.25°C @ 25°C ambient 0.5°C @ 50°C ambient 0.75°C @ 75°C ambient 1.0°C @ 100°C ambient
Stability	Better than 0.25°C at stabilized ambient between -54°C to 100°C
Reference Point	0°C standard
Size	1" x 1" x 5/16" thick
Weight	10 grams
Input Power	5 VDC standard
Power Consumption	As low as 100 microwatts
Mounting	(2) #6 screws

PO Box 6640
1657 Washington St., Bldg. 3
Holliston MA 01746
www.Nanmac.com
engineering@nanmac.com

Foremost in Temperature Measurement™
NANMAC

US & Canada: 1.800.786.4669
International: 1.508.872.4811
Fax: 1.508.879.5450
info@nanmac.com